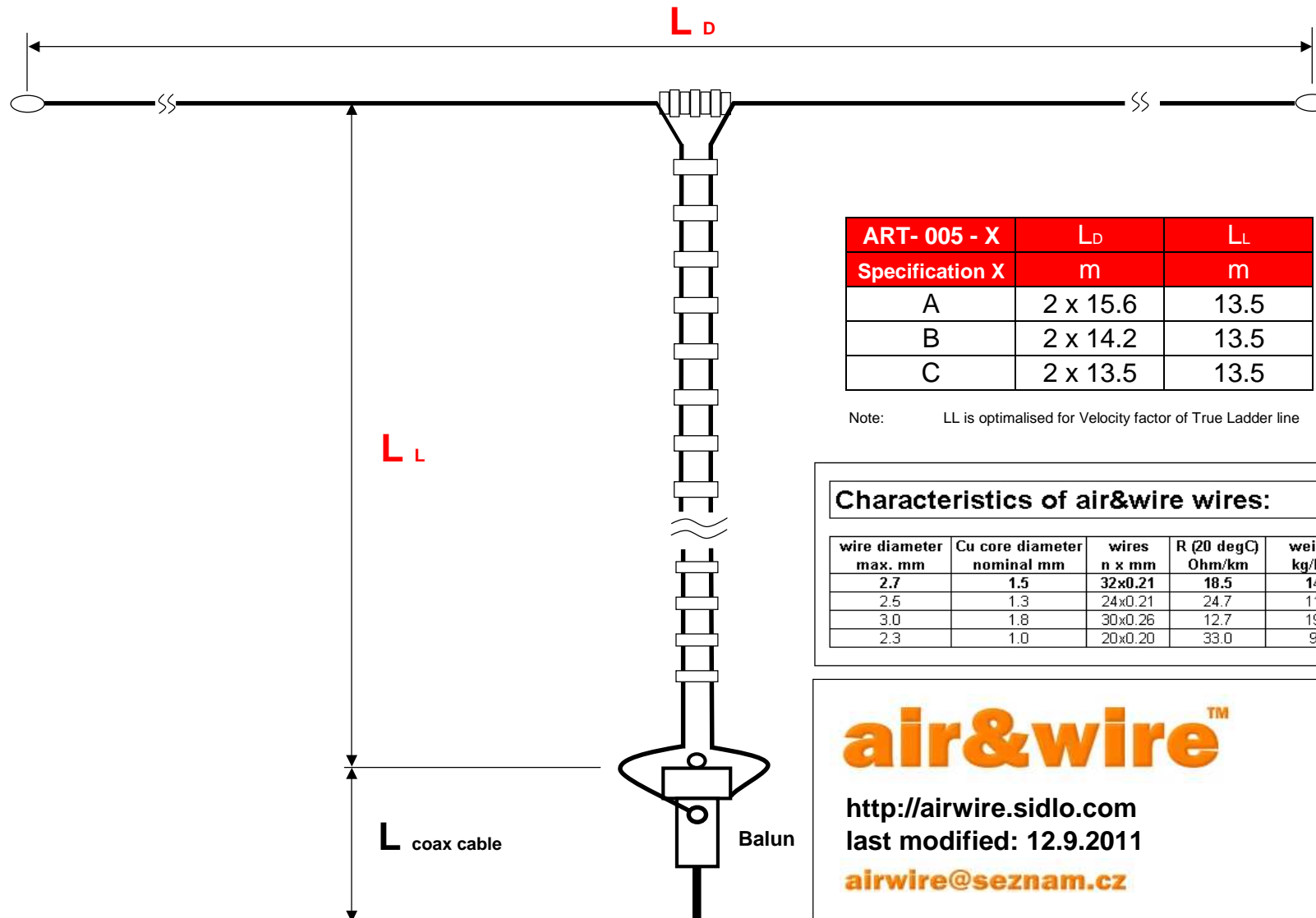


# G5RV Antenna and optimized modifications

ART- 005 - X



ART- 005 - X	$L_D$	$L_L$
Specification X	m	m
A	2 x 15.6	13.5
B	2 x 14.2	13.5
C	2 x 13.5	13.5

Note:  $L_L$  is optimised for Velocity factor of True Ladder line

## Characteristics of air&wire wires:

wire diameter max. mm	Cu core diameter nominal mm	wires n x mm	R (20 degC) Ohm/km	weight kg/km	colour	note
2.7	1.5	32x0.21	18.5	14	black, gray,	standard
2.5	1.3	24x0.21	24.7	11	blue, green,	
3.0	1.8	30x0.26	12.7	19	red,white,	
2.3	1.0	20x0.20	33.0	9	natural	

**air&wire™**

<http://airwire.sidlo.com>

last modified: 12.9.2011

[airwire@seznam.cz](mailto:airwire@seznam.cz)