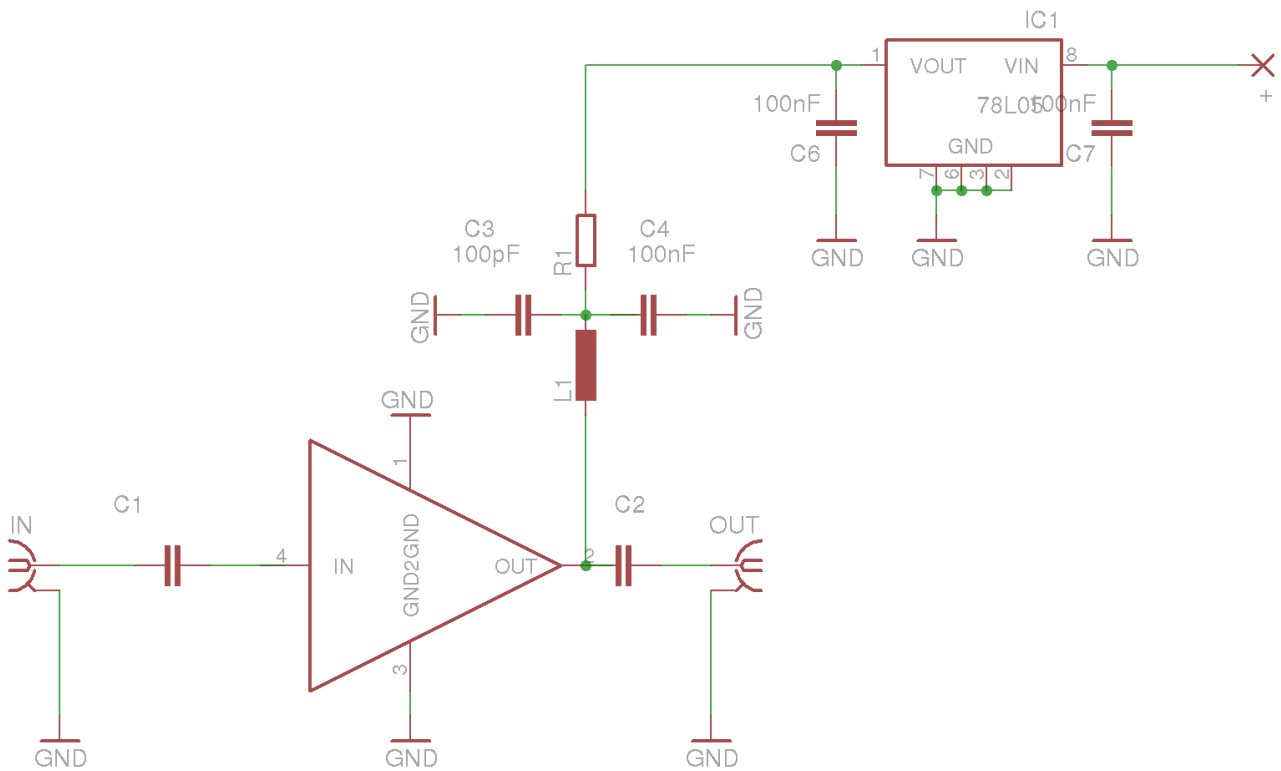
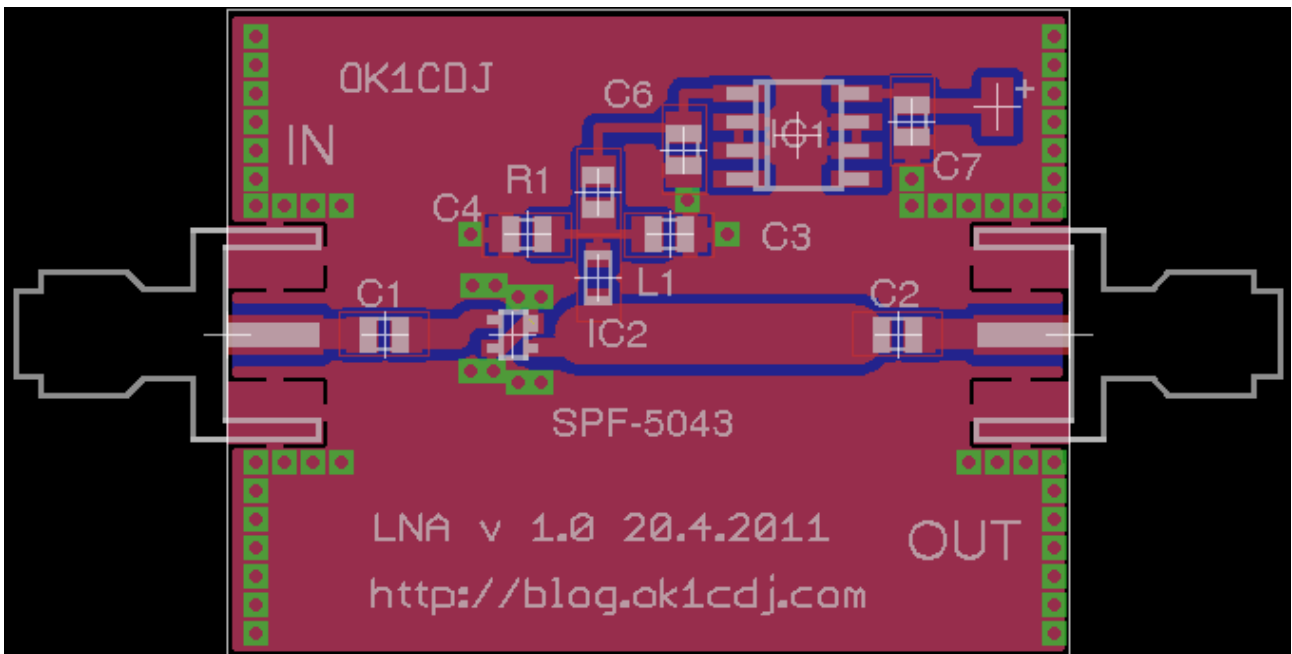


Funcube LNA with SPF5043z



Schematic



PCB

Partlist:

R1 – jumper 0 R

C1,C2,C3 - 100pF 0805

C4,C6,C7 – 100nF 0805

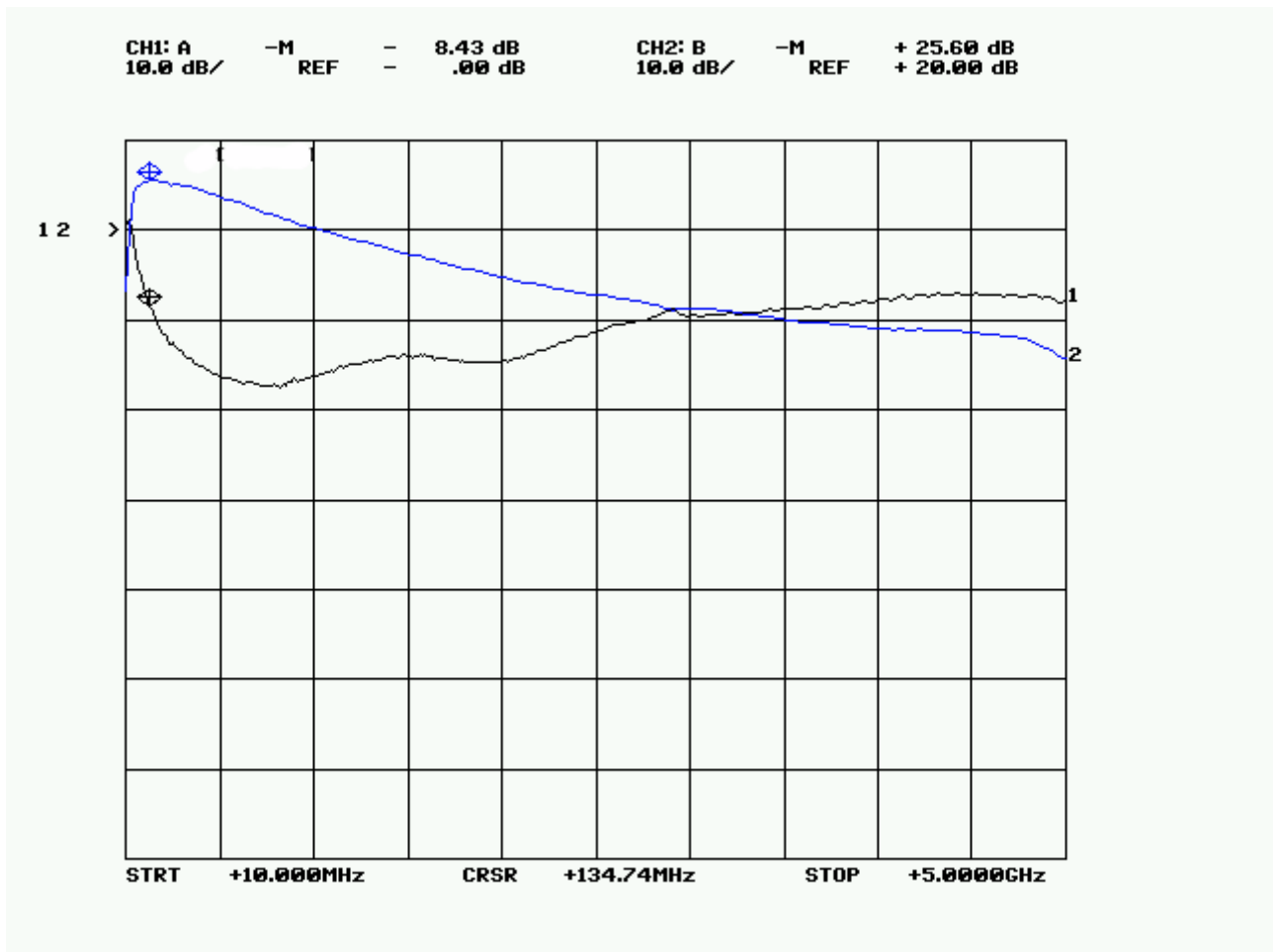
C5 – 1 nF feed thru cap – thru box

L1 – 100 nH 0805

IC1 – 7805 SMD SO8

IC2 – SPF 5043z
 Measured gain and NF

f [MHz]	Gain [dB]	NF [dB]
50	20.8	1.21
145	24.6	0.89
432	23.3	0.89
1296	15.6	0.78



- 1 – RF output
- 2, 4 - GND
- 3 - RF input